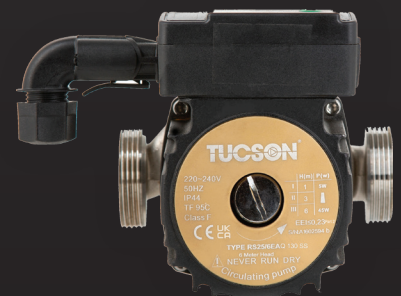


TUCSON[®]

Fluid Dynamics



- Circulation Pumps
- Boiler Pumps
- Booster Pumps
- Submersible Pumps
- Shower Pumps
- Pressure Switches
- Pump Accessories

Product Catalogue

www.tucsonpumps.ie

3 YEAR WARRANTY

Tucson

Cast Iron Volute Circulation Pumps

5M & 6M Circulation Pump



ErP
COMPLIANT

Features

- User-friendly control panel
- Suitable for domestic & light commercial applications
- Robust construction
- Compact size
- Easy installation
- 3 years manufacturers warranty

Technical Data

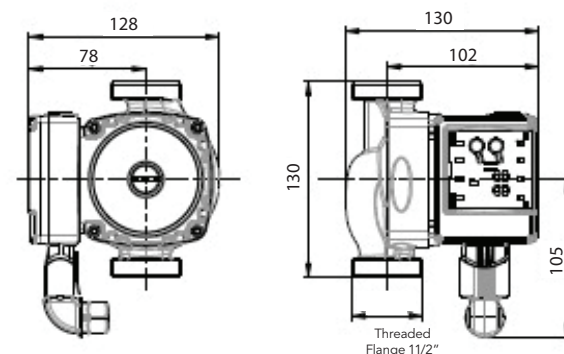
- EEI (Energy Efficiency Index) ≤ 0.23 Part 2
- Voltage: Single Phase, 230 volts $\pm 10\%$
- Frequency: 50 Hz
- Speed: 1 to 3 + Auto
- Insulation: Class F
- Operating Environment Temperature: 5°C to 40°C
- Minimum and Maximum Fluid Temperatures: 5°C to 95°C
- Max Working Pressure: 10 Bar
- Min Working Pressure: 0.05 Bar @ 50°C
- Ingress Protection Rating: IP44
- Flange threaded connection dimension - $1\frac{1}{2}$ " BSP/G $1\frac{1}{2}$ "
- Pump Weight: 2.35Kg
- Volute / Manifold Material: Cast Iron
- Volute Coating Material - Electrophoresis

Accessories Included

- Terminal Plug and Rubber Gaskets

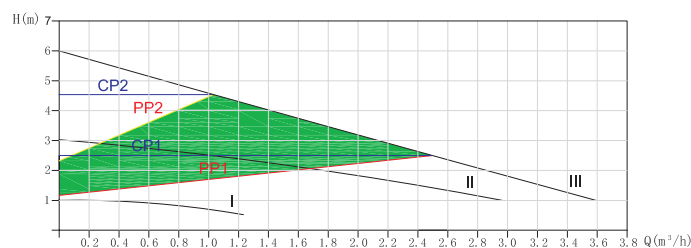
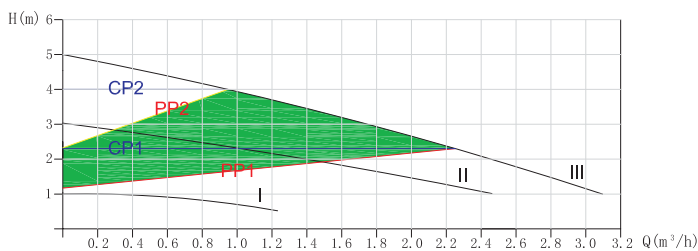
CODE	PRODUCT	PALLET QTY
771903	5 Metre Head	256
771904	6 Metre Head	256

5 Metre & 6 Metre Pump Dimensions



Dimensions in mm

5 Metre & 6 Metre Pump Performance Data



General notes - ErP (ecological design) directive
The benchmark for the most efficient circulators is $\text{EEI} \leq 0.20$ Part 2

3 YEAR WARRANTY

Tucson

Stainless Steel Volute Circulation Pumps



180mm

CODE	PRODUCT	PALLET QTY
771912	6 Metre Head 130mm	144
771913	6 Metre Head 180mm	144



130mm

ErP
COMPLIANT

Features

- Volute dimension available in 130mm & 180mm
- User-friendly control panel
- Suitable for domestic and light commercial applications
- Robust construction
- Made from corrosion resistant 304 Grade Stainless Steel
- Compact size
- Easy installation
- 3 years manufacturers warranty

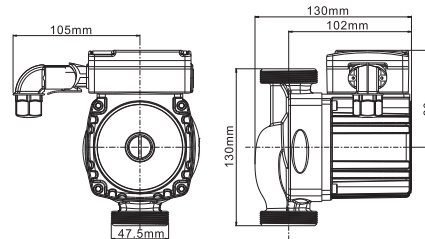
Technical Data

- EEI (Energy Efficiency Index) ≤ 0.23 Part 2
- Voltage: Single Phase, 230 volts +/-10%
- Frequency: 50 Hz
- Speed: 1 to 3 + Auto
- Insulation Class: F
- Operating Environment Temperature: 5°C to 40°C
- Minimum and Maximum Fluid Temperatures: 5°C to 95°C
- Max Working Pressure: 10 Bar
- Min Working Pressure: 0.05 Bar @ 50°C
- Ingress Protection Rating: IP44
- Flange Threaded Connection Dimension: 1 1/2" BSP/G 1 1/2"
- Volute / Manifold Material: 304 grade Stainless Steel
- Volute Coating Material: Electrophoresis.
- Pump Weight:: 2.35kg

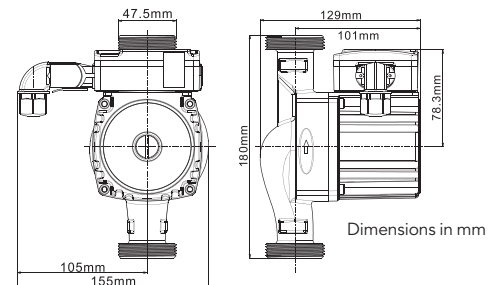
Accessories Included

- Terminal Plug and Rubber Gaskets

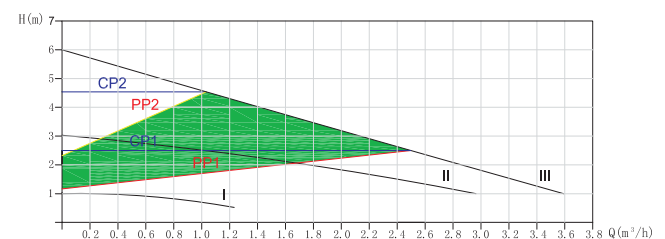
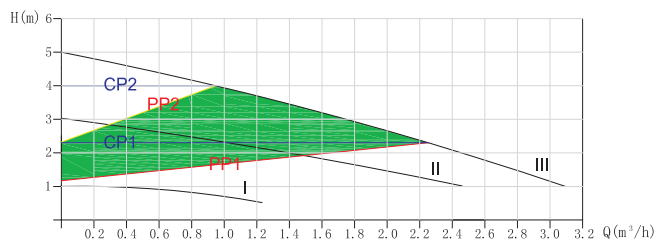
6 Metre 130mm Pump Dimensions



6 Metre 180mm Pump Dimensions



6 Metre Stainless Steel Pump Performance Data



General notes - ErP (ecological design) directive
The benchmark for the most efficient circulators is EEI ≤ 0.20 Part 2

3 YEAR WARRANTY



8M Circulation Pump

Tucson

Cast Iron Volute Circulation Pumps

ErP
COMPLIANT

Features

- User-friendly control panel
- Suitable for domestic & light commercial applications
- Robust construction
- Compact size
- Easy installation
- 3 years manufacturers warranty

Technical Data

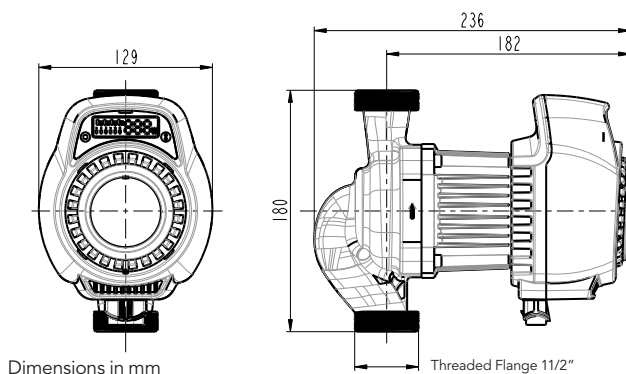
- EEI (Energy Efficiency Index) ≤ 0.23 Part 2
- Voltage: Single Phase, 230 volts $\pm 10\%$
- Frequency: 50 Hz
- Pump Control Settings: Constant Pressure 1-5, Proportional Pressure 1-5, Eco / Auto Setting
- Speed: 1 to 6 + Auto
- Insulation Class: F
- Operating Environment Temperature: 5°C to 40°C
- Minimum and Maximum Fluid Temperatures: 5°C to 95°C
- Max Working Pressure: 10 Bar
- Min Working Pressure: 0.05 Bar @ 50°C
- Ingress Protection Rating: IP44
- Flange Threaded Connection Dimension: 1 1/2" BSP/G 1 1/2"
- Volute / Manifold Material: Cast Iron
- Volute Coating Material: Electrophoresis
- Pump Weight: 3.6kg

Accessories Included

- Terminal Plug and Rubber Gaskets

CODE	PRODUCT	PALLET QTY
771902	8 Metre Head	144

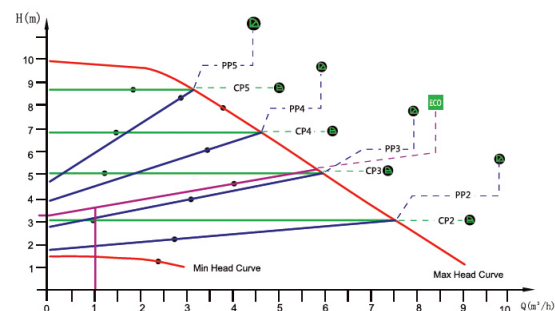
8 Metre Pump Dimensions



Dimensions in mm

Threaded Flange 1 1/2"

8 Metre Pump Performance Data



General notes - ErP (ecological design) directive
The benchmark for the most efficient circulators is $EEI \leq 0.20$ Part 2

3 YEAR WARRANTY

Tucson

Bronze Volute Circulation Pump



ErP
COMPLIANT

Features

- Suitable for Secondary-Return applications
- Robust construction
- Compact design dimensions
- Reduced weight design
- Easy installation
- 3 years manufacturers warranty
- Plug & play cabling
- TF value of 110°C

Technical Data

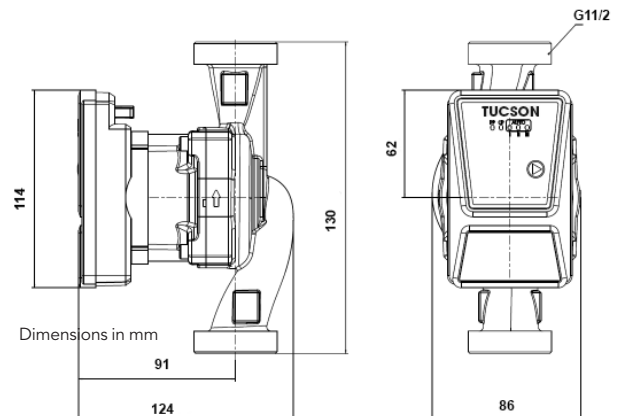
- EEI (Energy Efficiency Index) ≤ 0.23 Part 2
- Voltage: Single Phase, 230 volts
- Frequency: 50 Hz
- Insulation: Class F
- Pump control settings: Constant Speed 1-6, Constant Pressure 1-6, Proportional Pressure 1-6, Eco / Auto Setting
- Operating Environment Temperature: 0°C to 40°C
- Minimum and Maximum Fluid Temperatures: 2°C to 110°C
- Max Working Pressure: 10 Bar
- Min Working Pressure: 0.05 Bar @ 75°C
- Ingress Protection Rating: IP44
- Motor Housing material YL102
- Flange Threaded Connection Dimension: 1 1/2" BSP/G 1 1/2"
- Volute / Manifold Material: Bronze
- Pump Weight: 1.79kg

Accessories Included

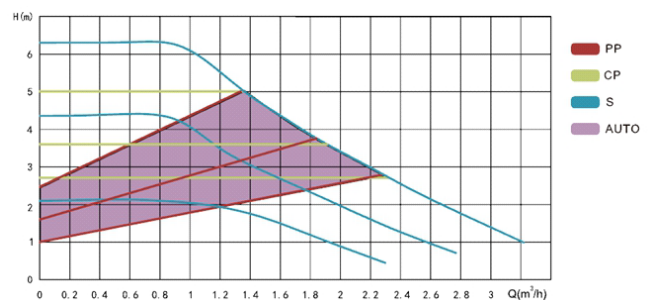
- AC power cable (stripped end) x1
- Rubber Gaskets

CODE	PRODUCT	PALLET QTY
771917	6 Metre Head	256

6 Metre Bronze Body Pump Dimensions



6 Metre Pump Performance Data



General notes - ErP (ecological design) directive
The benchmark for the most efficient circulators is $EEI \leq 0.20$ Part 2

Tucson

GBPHR Universal Pump Head Replacement with PWM Control



Features

- High performance modulating pump
- Optional pulse width modulation (PWM)
- Simple & easy retro-fit in most applications
- Easy set up to maximise boiler efficiency
- 1 year manufacturers warranty
- ErP Compliant

Technical Data

- EEI (Energy Efficiency Index) ≤ 0.23 Part 3
- Pump Head Pressure Range from 4-8M
- Pump Control Settings: Constant Speed 1-6, Constant Pressure 1-6, Proportional Pressure 1-6, & Eco / Auto Setting
- Flow Rate Range up to 31.6L/min
- Pumped Liquid Temperature Range: +2°C - 110°C
- Operating Environment Temperature: 0°C - 40°C
- Relative Ambient Humidity: 95%
- Voltage / Frequency: 230V, 50/60Hz
- Maximum System Pressure: 10 bar
- Ingress Protection Rating: IP44
- Decibel Rating: 43 dB
- Insulation Class: F
- Pump Weight: 1.1Kg

Product Includes:

- Tucson GBPHR/8/ Pump x1
- Replacement Flange O Rings x2
- Volute assembly Studs x4
- AC power cable (stripped end) x1
- IP Rated terminal block x1
- Quick-fit AC power cable adaptor x1
- PWM cable connectors (Wilo™ & Grundfos® compatible)

CODE	PRODUCT	PALLET QTY
771928	GBPHR/8/CW	512
771929	GBPHR/8/CCW	512
771948	PWM Adaptor Wilo™ Compatible	
771949	PWM Adaptor Grundfos® Compatible	

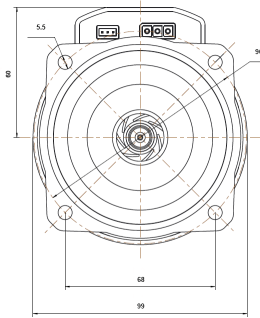
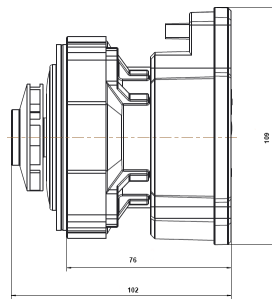
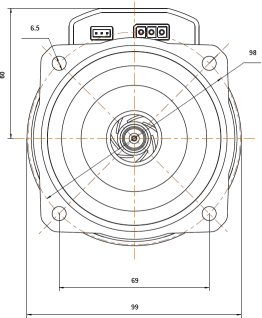
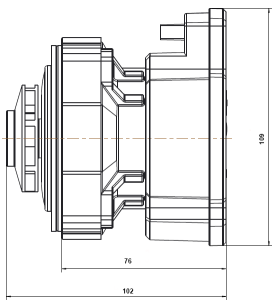
GBPHR Kit Accessories:



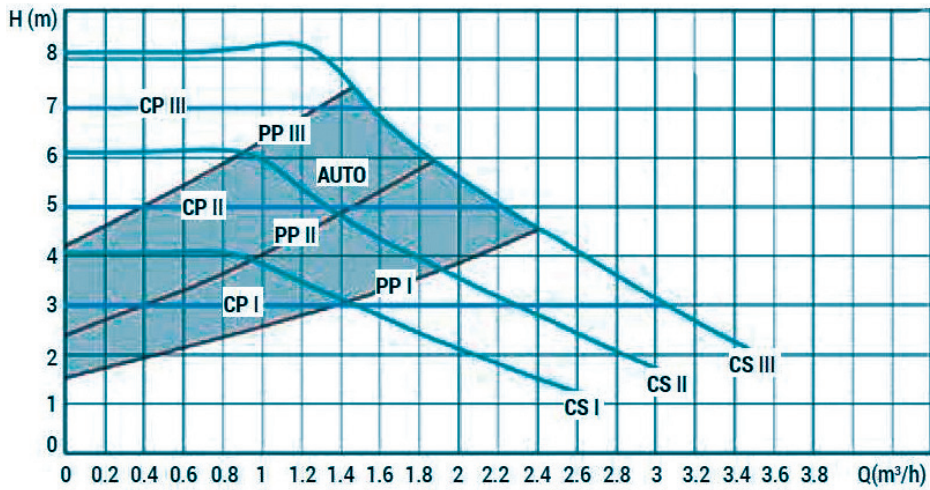


GBPHR/8/CW Pump Dimensions

GBPHR/8/CCW Pump Dimensions



GBPHR Performance Data



General notes - ErP (ecological design) directive
 The benchmark for the most efficient circulators is
 $EEI \leq 0.20$ Part 2

Tucson

OB Circulation Pumps with PWM Control



Features

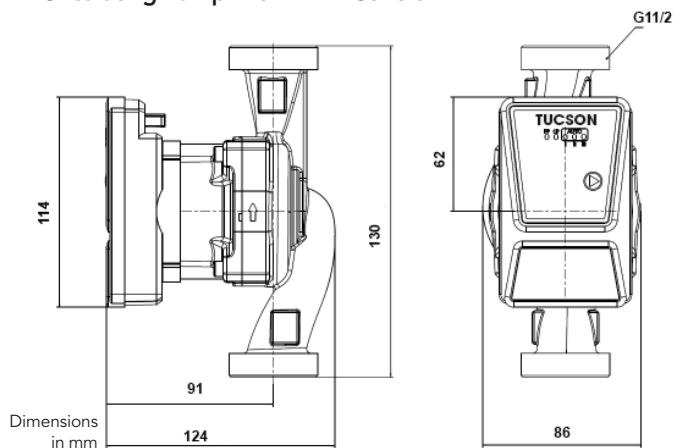
- Available in both 6 & 8 Metre Head
- Domestic & light commercial applications
- Robust construction
- Compact design dimensions
- Reduced weight design
- Easy installation
- 3 years manufacturers warranty
- Plug & play cabling
- Pulse Width Modulation (PWM) terminal
- Boiler retro-fit friendly
- TF value of 110°C

Technical Data

- EEI (Energy Efficiency Index) ≤ 0.23 Part 2
- Voltage: Single Phase, 230 volts
- Frequency: 50 Hz
- Insulation Class: F
- Operating Environment Temperature: 0°C to 40°C
- Minimum and Maximum Fluid Temperatures: 2°C to 110°C
- Pump Control Settings: Constant Speed 1-6, Constant Pressure 1-6, Proportional Pressure 1-6, & Eco / Auto Setting
- Max Working Pressure: 10 Bar
- Min Working Pressure: 0.05 Bar @ 75°C
- Ingress Protection Rating: IP44
- Motor Housing Material: YL102
- Flange Threaded Connection
Dimension: 1 1/2" BSP/G 1 1/2"
- Volute / Manifold Material: Cast Iron
- Volute Coating Material: Electrophoresis
- Pump Weight: 1.6kg

CODE	PRODUCT	PALLET QTY
771946	6 Metre Head	256
771947	8 Metre Head	256
771948	PWM Adaptor Wilco™ Compatible	
771949	PWM Adaptor Grundfos® Compatible	

Tucson 6 & 8 Metre Head OB Circulating Pump with PWM Control



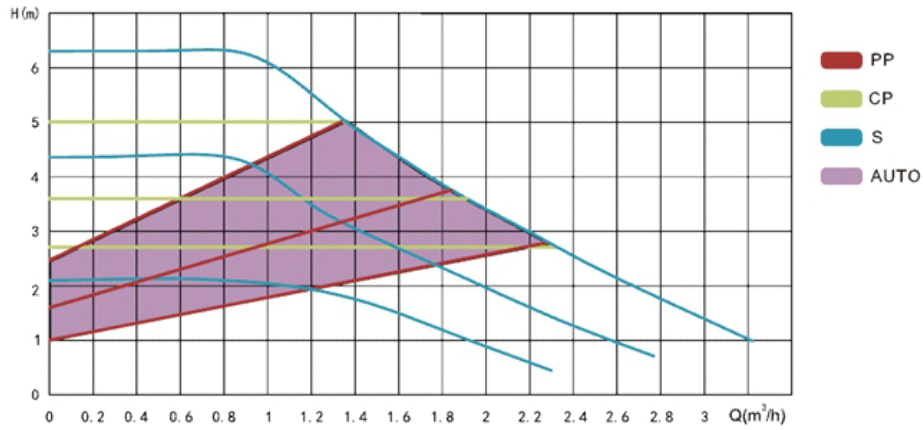
Accessories Included

- AC power cable (stripped end) x1
- AC power cable adaptor (Grundfos® Compatible Connection) x1
- AC power cable adaptor (Wilco™ Compatible Connection) x1
- Rubber Gaskets

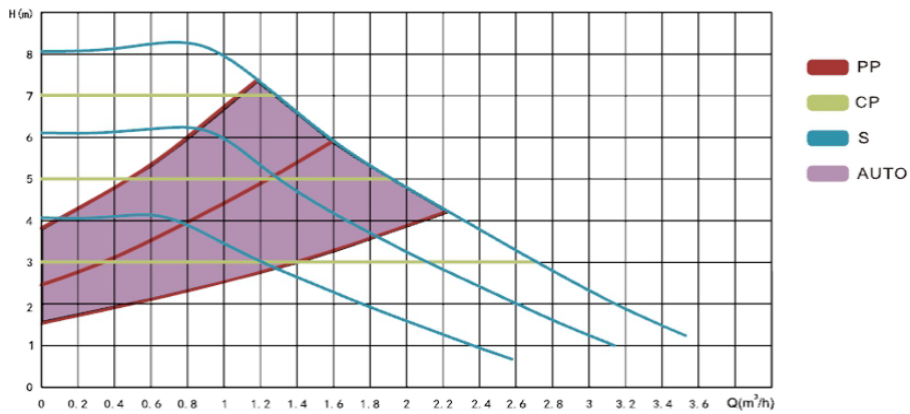
OBCP Kit Accessories:



6 Metre Head OB Circulating Pump Performance Data



8 Metre Head OB Circulating Pump Performance Data



General notes - ErP (ecological design) directive
 The benchmark for the most efficient circulators is
 EEI ≤ 0.20 Part 2

3 YEAR WARRANTY

VolMax

Flanged Commercial Circulation Pumps



Features

- User-friendly control panel
- Suitable for commercial applications
- Robust construction
- Permanent magnet motor
- Control memory auto function
- Constant voltage auto function
- Rotor-lock protection feature
- Overheating protection feature
- Open circuit protection feature
- 3 years manufacturers warranty

Technical Data

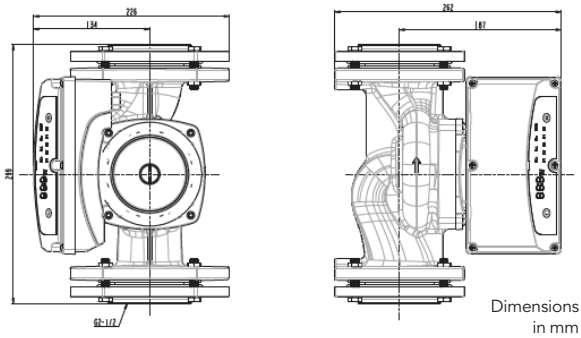
- EEI (Energy Efficiency Index) ≤ 0.23 Part 2
- Voltage: Single Phase, 220-240 volts
- Wattage: 500W (10m pumps) & 600W (12m pumps)
- Frequency: 50 Hz
- 10M & 12M Speed: 1 to 3 + Auto
- Pump Control Settings: Constant Speed 1-6, Constant Pressure 1-5, Proportional Pressure 1-5, Eco / Auto Setting
- Insulation Class: F
- Operating Environment Temperature: 5°C to 40°C
- Minimum and Maximum Fluid Temperatures: 5°C to 95°C
- Max Working Pressure: 10 bar
- Ingress Protection Rating: IP44
- DN40 Flange G1½" Threaded Connection
- DN50 Flange G2" Threaded Connection
- Volute / Manifold Material: Cast Iron
- Volute Coating Material: Electrophoresis
- Flange Bolts manufactured using 304 grade stainless steel material
- Pump Weight 9.52kg

CODE	PRODUCT	PALLET QTY
772101	10 Metre Head DN40 1½" Flange Port to port L 250mm	30
772102	10 Metre Head DN50 2" Flange Port to port L 250mm	30
772104	12 Metre Head DN40 1½" Flange Port to port L 250mm	30
772105	12 Metre Head DN50 2" Flange	30
772108	VolMax DN50 Flange	-

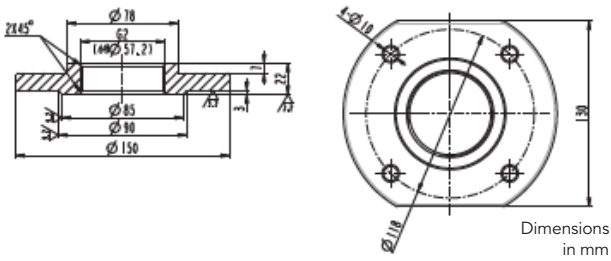
Accessories Included

- Cast iron connection flanges x2
- 304 stainless steel flange bolts x8
- Rubber flange gaskets x2

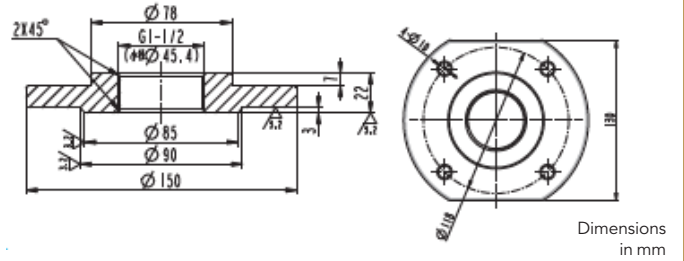
10 & 12 Metre Head Pump Dimensions



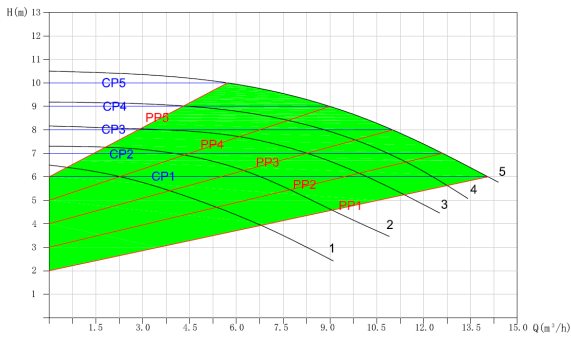
DN40 Flange Dimensions



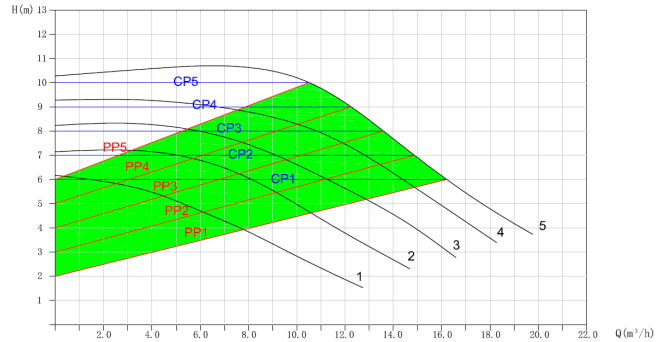
DN50 Flange Dimensions



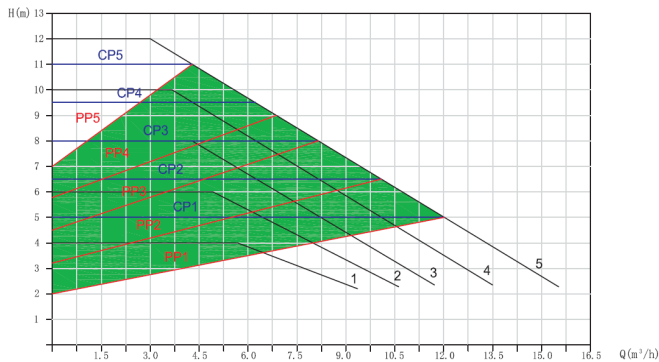
10M DN40 Performance Data



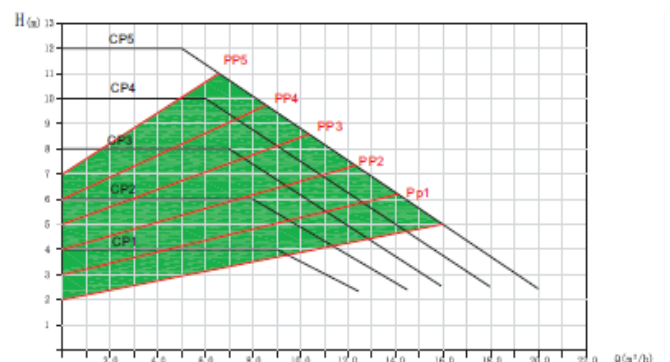
10M DN50 Performance Data



12M DN40 Performance Data



12M DN50 Performance Data



General notes - ErP (ecological design) directive

The benchmark for the most efficient circulators is $EEL \leq 0.20$ Part 2

MetaBoost

Modulating Booster Pump

Model - MBP35

Features

- Produces a maximum pressure of 3.5 Bar
- Maximum unrestricted flow rate of up to 58 litres per minute
- Demand responsive pumping unit designed for domestic and light commercial pumping applications
- The MBP35 pumping chamber and connection points are manufactured with 304 Stainless Steel material
- Powerful 400-Watt variable speed motor
- Automatic pressure controlling interface setting
- 3 years manufacturer's warranty
- Locked-rotor protection function
- Over-voltage protection function
- High-temperature warning
- Dry run protection
- Water leakage protection

Technical Data

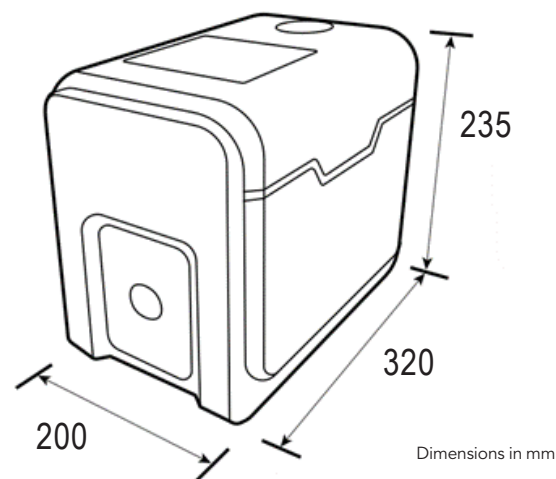
- Inlet and Outlet Connections: 1" BSP
- Rated Flow: 2.3 m³/h 38 l/min
- Rated Head: 25m
- Max Head: 35m
- Rated Power: 400W

Operational Conditions

- The temperature of the liquid should not exceed 45°C
- The pH of the liquid should be no less than 6.5 and no greater than 8
- The pumped liquid should not contain chemical deposits, dirt, harmful or corrosive material, flammable or explosive gases.
- The power frequency is 50Hz, the voltage is 230V and the maximum voltage fluctuation should not exceed 10% of the rated value

CODE	PRODUCT	PALLET QTY
771906	MBP35	40

MBP35 Pump Dimensions



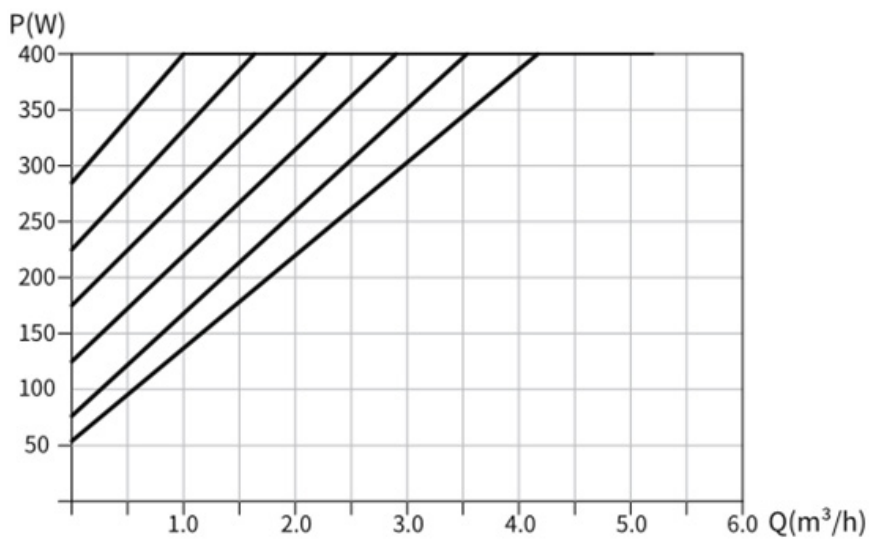
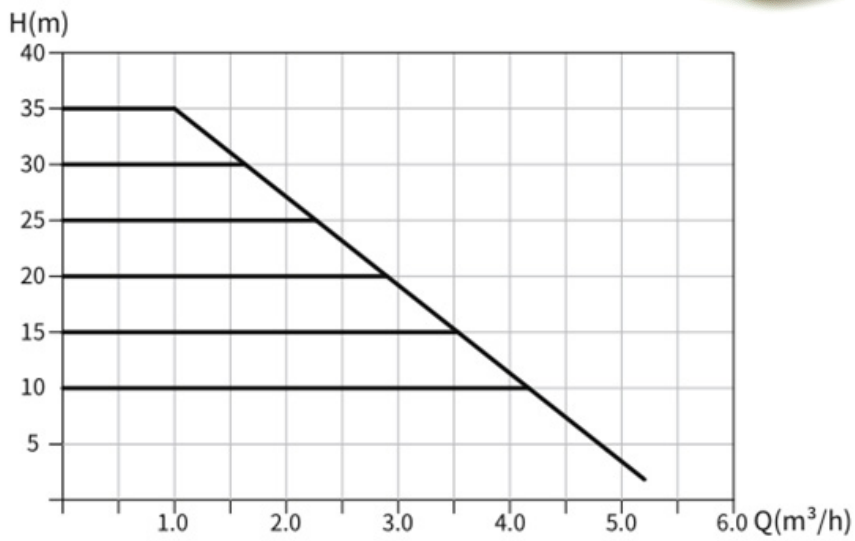
Accessories Included

- 1" 304 stainless steel mesh filter
- 1" FI x MI brass adaptor bushing
- Spare o-ring seal set

3 YEAR WARRANTY



MBP35 Performance Data



MetaBoost

Modulating Booster Pump Model - MBP45

Features

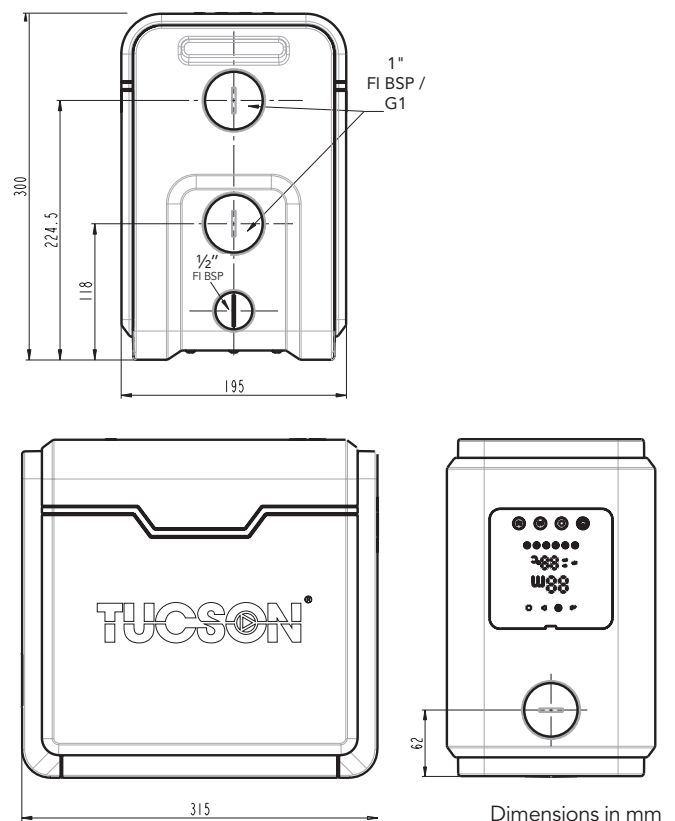
- Automatic multistage centrifugal pumping system
- Constant or modulating select feature
- Pressure select feature
- Utilises dry run protection feature
- High temperature warning feature
- Ergonomic and compact design
- Easy to install and operate
- Utilises an integrated flow switch
- Utilises an integrated pressure switch
- Utilises an integrated non-return valve
- User friendly integrated control panel
- Powerful & efficient variable speed motor
- 3 years manufacturers warranty
- High-performance air-cooled motor housing
- Adjustable constant pressure motor controller
- Robust component design and construction
- Suitable for domestic & light commercial applications
- Quiet operation, less than 45 dB at five metres distance
- Self Priming Feature–Up to 8 metres
- Anti-seize function–initiates the pump to run for 10 seconds should it not be called on to pump for a period of 24 hours or more
- Incorporates a "Loss of system pressure" indicator on the control panel

Technical Data

- Motor Size: 0.8 HP / 600 Watt
- Motor Type: Variable Speed
- Rated Head: 25m
- Maximum Head: 45m
- Maximum Pressure: 4.5 bar
- Maximum Flowrate /
Q Max: 4.5M Cubed / 75L/Min
- Minimum and Maximum
Fluid Temperatures: 5°C to 50°C
- Operating Environment
Temperature: 5 – 50 Degrees
- Ingress Protection Rating: IP44
- Maximum Operating
Pressure: 10 Bar
- Insulation Class: F
- Pump Weight: 14.2kg
- Inlet and Outlet
Connection Sizing: 1" FI BSP/G1

CODE	PRODUCT	PALLET QTY
771918	MBP45	24

MBP45 Pump Dimensions



Accessories Included

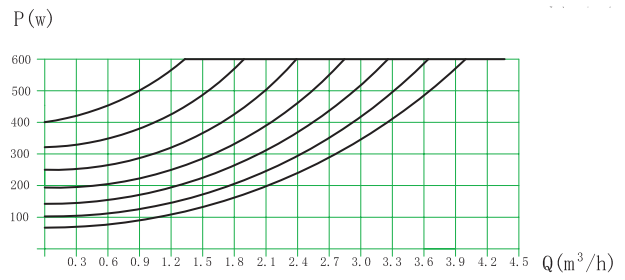
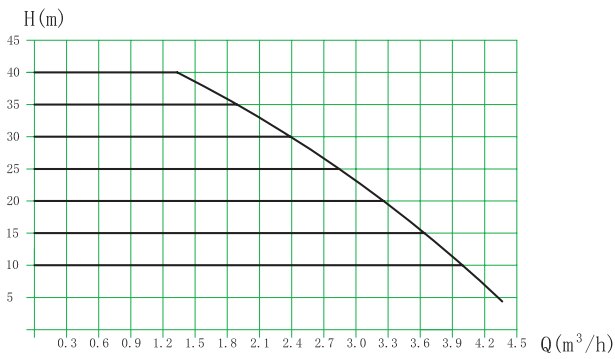
- 1" 304 stainless steel mesh filter
- 1" FI x MI brass adaptor bushing
- Spare o-ring seal set

3 YEAR WARRANTY

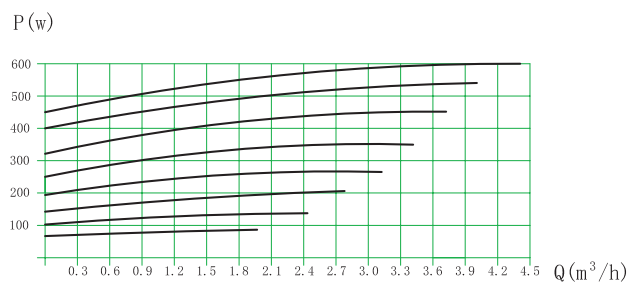
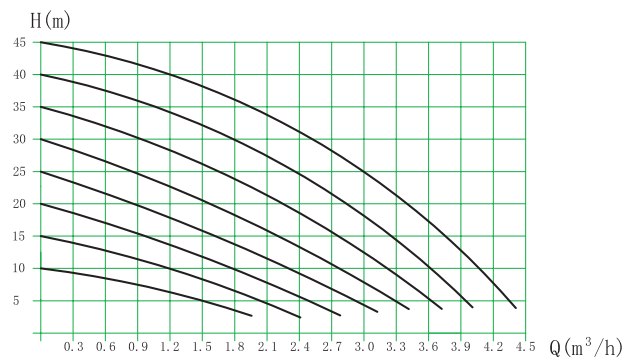


MBP45 Performance Data

Constant Pressure Mode



Constant Speed Mode



3 YEAR WARRANTY



MetaBoost

Constant Speed Booster Pump CBP400

Features

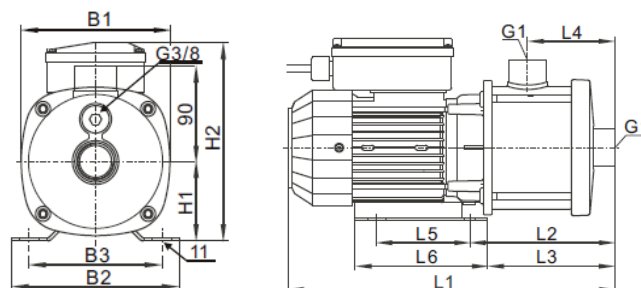
- Compact design
- Powerful & efficient
- Easy to install and operate
- Utilises dry run protection
- Utilises an integrated flow switch
- Utilises an integrated pressure switch
- Utilises an integrated non-return valve
- Adjustable start-up pressure controller
- User friendly unintegrated control panel
- High-performance air-cooled motor housing
- Automatic multistage centrifugal pumping system
- Suitable for domestic & light commercial applications
- Robust construction with stainless steel bodied pump
- Quiet operation, less than 45 dB at five metres distance
- 3 years manufacturers warranty

Technical Data

- Motor Size: 1/2 HP / 370 Watt
- Motor Type: Induction
- Rated Head: 21m
- Rated Flowrate: 49L/min
- Maximum Head: 29m (2.9 bar)
- Maximum Flowrate: 84L/min
- Maximum Fluid Temperature: 50°C
- Operating Environment Temperature 5 – 50°C
- Ingress Protection Rating: IP55
- Controller Waterproof Rating: IP65
- Controller Maximum Operating Pressure: 10 Bar
- Insulation Class: F
- Pump Weight: 9.2 Kg
- Inlet and Outlet Connection Sizing: 1" FI BSP/G1 & 1" MI BSP/G1

CODE	PRODUCT	PALLET QTY
771924	CBP400	28

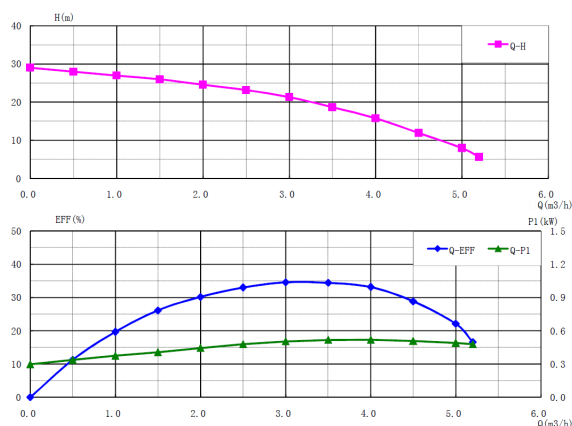
CBP400 Pump Dimensions



Model	B1	B2	B3	H1	H2	L1	L2	L3	L4	L5	L6	G1
CBP400	140	158	125	75	174	318	131	131	72	96	136	1"FI BSP

Dimensions in mm

CBP Performance Data



3 YEAR WARRANTY

MetaBoost

Constant Speed Booster Pump CBP600



Features

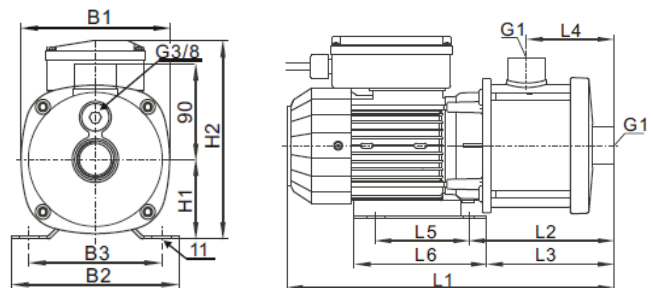
- Compact design
- Powerful & efficient
- Easy to install and operate
- Utilises dry run protection
- Utilises an integrated flow switch
- Utilises an integrated pressure switch
- Utilises an integrated non-return valve
- Adjustable start-up pressure controller
- User friendly unintegrated control panel
- High-performance air-cooled motor housing
- Automatic multistage centrifugal pumping system
- Suitable for domestic & light commercial applications
- Robust construction with stainless steel bodied pump
- Quiet operation, less than 45 dB at five metres distance
- 3 years manufacturers warranty

Technical Data

- Motor Size: ¾ HP / 550 Watt
- Motor Type: Induction
- Rated Head: 32m
- Rated Flowrate: 50L/min
- Maximum Head: 47m (4.7 bar)
- Maximum Flowrate: 87L/min
- Maximum Fluid Temperature: 50°C
- Operating Environment Temperature: 5 – 50°C
- Ingress Protection Rating: IP55
- Controller IP Rating: IP65
- Controller Maximum Operating Pressure: 10 Bar
- Insulation Class: F
- Pump Weight: 10.2 kg
- Inlet and Outlet Connection Sizing: 1" FI BSP/G1 & 1" MI BSP/G1

CODE	PRODUCT	PALLET QTY
771925	CBP600	30

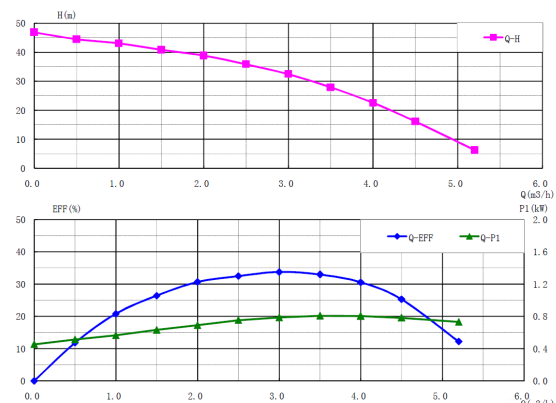
CBP600 Pump Dimensions



Model	B1	B2	B3	H1	H2	L1	L2	L3	L4	L5	L6	G1
CBP600	140	158	125	75	187	383	167	143	108	96	136	1" FI BSP

Dimensions in mm

CBP Performance Data



3 YEAR WARRANTY



MetaBoost

Constant Speed Booster Pump CBP800

Features

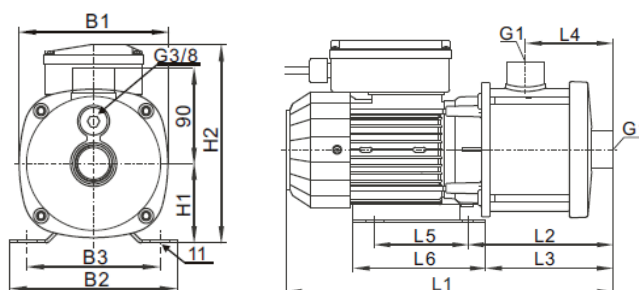
- Compact design
- Powerful & efficient
- Easy to install and operate
- Utilises dry run protection
- Utilises an integrated flow switch
- Utilises an integrated pressure switch
- Utilises an integrated non-return valve
- Adjustable start-up pressure controller
- User friendly unintegrated control panel
- High-performance air-cooled motor housing
- Automatic multistage centrifugal pumping system
- Suitable for domestic & light commercial applications
- Robust construction with stainless steel bodied pump
- Quiet operation, less than 45 dB at five metres distance
- 3 years manufacturers warranty

Technical Data

- Motor Size: 1 HP / 750 Watt
- Motor Type: Induction
- Rated Head: 39m
- Rated Flowrate: 53L/min
- Maximum Head: 56m (5.6 bar)
- Maximum Flowrate: 92L/min
- Maximum Fluid Temperature: 70°C
- Operating environment temperature 5 – 70°C
- Ingress Protection Rating: IP55
- Controller Waterproof Rating: IP65
- Controller Maximum Operating Pressure: 8 Bar
- Insulation Class: F
- Pump weight: 11.2 Kg
- Inlet and Outlet Connection Sizing: 1" FI BSP/G1 & 1" MI BSP/G1

CODE	PRODUCT	PALLET QTY
771926	CBP800	24

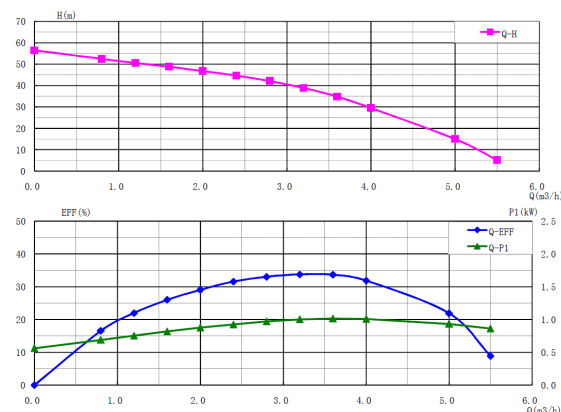
CB800 Pump Dimensions



Model	B1	B2	B3	H1	H2	L1	L2	L3	L4	L5	L6	G1
CBP800	140	158	125	75	200	416	203	179	144	96	155	1" FI BSP

Dimensions in mm

CBP Performance Data



3 YEAR WARRANTY

MetaBoost

Constant Speed Booster Pump CBP1000



Features

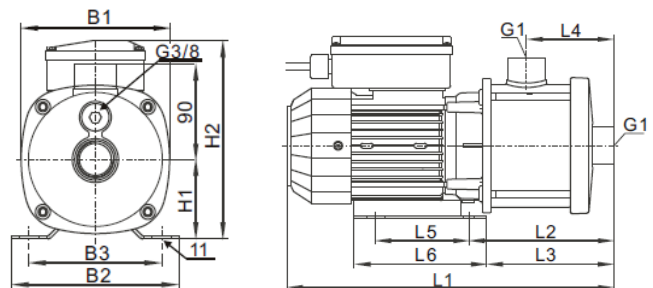
- Compact design
- Powerful & efficient
- Easy to install and operate
- Utilises dry run protection
- Utilises an integrated flow switch
- Utilises an integrated pressure switch
- Utilises an integrated non-return valve
- Adjustable start-up pressure controller
- User friendly unintegrated control panel
- High-performance air-cooled motor housing
- Automatic multistage centrifugal pumping system
- Suitable for domestic & light commercial applications
- Robust construction with stainless steel bodied pump
- Quiet operation, less than 45 dB at five metres distance
- 3 years manufacturers warranty

Technical Data

- Motor Size: 1.33 HP / 1000 Watt
- Motor Type: Induction
- Rated Head: 42m
- Rated Flowrate: 60L/min
- Maximum Head: 67m (6.7 bar)
- Maximum Flowrate: 92L/min
- Maximum Fluid Temperature: 50°C
- Operating Environment Temperature: 5 – 50°C
- Ingress Protection Rating: IP55
- Controller Waterproof Rating: IP65
- Controller Maximum Operating Pressure: 10 Bar
- Insulation Class: F
- Pump Weight: 12.2 Kg
- Inlet and Outlet connection sizing: 1" FI BSP/G1 & 1" MI BSP/G1

CODE	PRODUCT	PALLET QTY
771927	CBP1000	24

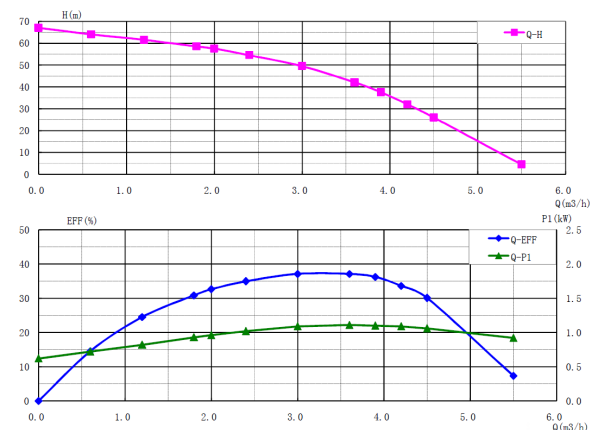
CBP1000 Pump Dimensions



Model	B1	B2	B3	H1	H2	L1	L2	L3	L4	L5	L6	G1
CBP1000	140	158	125	75	200	416	203	179	144	96	155	1"FI BSP

Dimensions in mm

CBP Performance Data



3 YEAR WARRANTY



SubPro 1000S Multistage Submersible Pump



Features

- High head of pressure and flow rate performance
- Easy to retro-fit or install as a new application
- Exceptional submersed pumping efficiency
- Powerful 1000 Watt pump motor
- Robust component manufacture
- 3 years manufacturers warranty

Technical Data

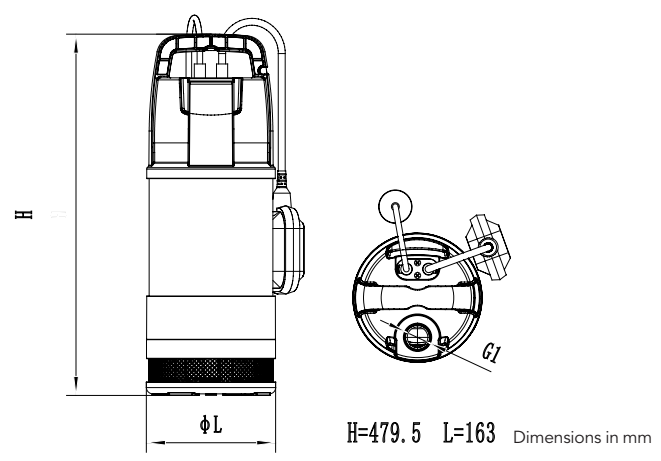
- Input voltage: 230V / 50Hz
- Power: 1000 Watt
- Ingress Protection Rating: IPX8
- Maximum Head of Pressure: 44m
- Maximum Flowrate: 7(m³/hr) or 117l/min
- Impellor Material: PPO
- Shaft Material: 304 grade stainless steel
- Cable Length: 2 metres
- Minimum Submersion Depth: 200mm
- Maximum Submersion Depth (if cabled): 7 metres
- Pumped Liquid Temperature Range: 4°C - 35°C

Accessories

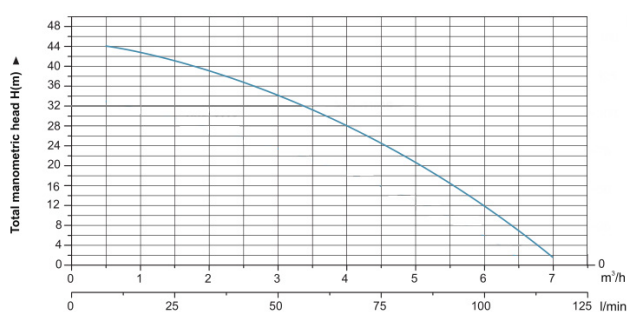
- 1 ¼" x 1" BSP/G Brass reducing bushing
- 1" BSP/G Brass non-return valve
- 1" Poly-compression CxP pipework connection fitting

CODE	PRODUCT	PALLET QTY
771972	1000S	32

Tucson SubPro 1000S Multistage Submersible Pump Dimensions



1000S Performance Data



Pressure Switches

Pressure Switches

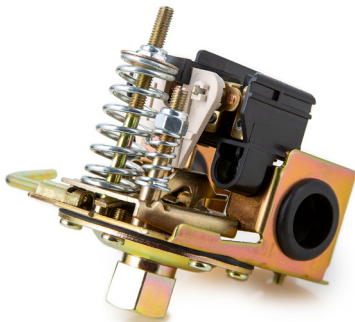
CODE	SIZE	BOX QTY
771900	MPS1 - Pressure Switch Manual	50
771905	MPS2LP - Loss of Prime Manual Pressure Switch	50
771901	APS1 - Automatic Pressure Switch 1	12
771907	APS2 - Automatic Pressure Switch 2	12



APS1
1" BSP / G1 Connections



MPS1



APS2
1" BSP / G1 Connections



MPS2LP

MPS2LP

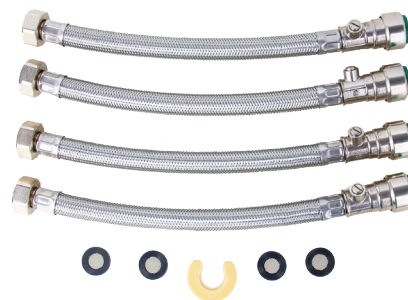
A loss of prime pressure switch is essentially a "Dry-Run" protection device for a well pump. Typically used where an independent well application uses a submersible or overground pump.

Where Installed this switch can identify Low Pressure in the supply pipework, should the pump pressure fall below 14 psi / 1 Bar, the loss of prime pressure switch will then initiate and isolate the power supply to the pump, thus protecting the pump from overheating.

3 YEAR WARRANTY



Equinox 2 Bar Positive Head Shower Pump



Features

- Brass Body Material - CW617N
- Robust and compact design
- 304 Stainless steel flexible hoses
- Quick attached push-fit connections
- Powerful and efficient induction motor
- Carbon-Silicone-Carbide mechanical seals
- EPDM housing O rings & washers
- Quiet operation of less than 66 dB
- 1.5 meter of pre-wired motor cable
- Easy to install and operate
- Auto reset thermal switch
- Continuous (S1) rated design
- 3 years manufacturer's warranty

Technical Data

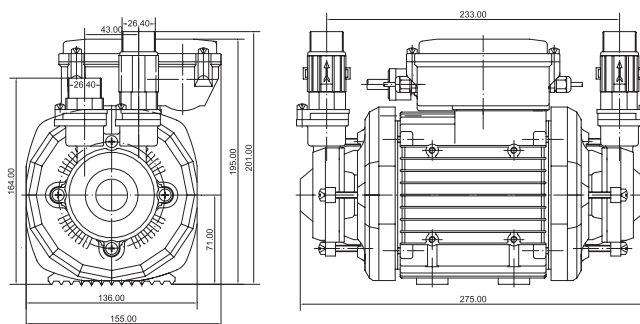
- Rate Voltage/Frequency: 230V/50Hz
- Rated Power Input P1 - 500 Watt
- Rated Current Input (A): 2.2A
- Fuse (Amps): Fuse 7A
- Electrical Class (I, II or III): Class I
- Ingress Protection Rating: IP44
- Maximum Head: Hmax 21m
- Minimum Head: Hmin 0.3m
- Qmax (Flowrate) L/Min: Qmax 46.6L/min
- Pump Duty: Continuous (S1)
- Capacitor Rating/Spec: CAP 12µF/450V S2
- Insulation Class (F): Class 155(F)
- Motor Speed (P/pm): 2900 R/pm
- Max Ambient Temperature (AMB -°C): AMB 40°C
- Max water temperature (°C): Max 65°C
- Acoustic Noise (dB): <66 dB
- Nett weight: 10KG

Product Components

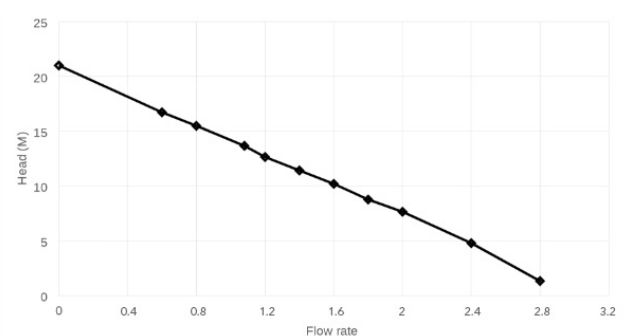
- One Equinox Shower Pump
- Four 21mm / ¾" Irish / Push-Fit stainless steel flexible hoses with isolating valves OR Four 22mm Push-Fit stainless steel flexible hoses with isolating valves
- One anti-vibration base mat
- Installation and operating manual
- Warranty registration card

CODE	PRODUCT	PALLET QTY
771920	2 Bar Positive Head (Imperial Connections)	36
771932	2 Bar Positive Head (Metric Connections)	36

Equinox Positive Head Shower Pump Dimensions



Performance Data



3 YEAR WARRANTY

Equinox 2 Bar Universal Head Shower Pump



Features

- Brass Body Material - CW617N
- Robust and compact design
- 304 Stainless steel flexible hoses
- Quick attached push-fit connections
- Powerful and efficient induction motor
- Carbon-Silicone-Carbide mechanical seals
- EPDM housing O rings & washers
- Quiet operation of less than 66 dB
- 1.5 meter of pre-wired motor cable
- Easy to install and operate
- Auto reset thermal switch
- Continuous (S1) rated design
- 3 years manufacturer's warranty

Technical Data

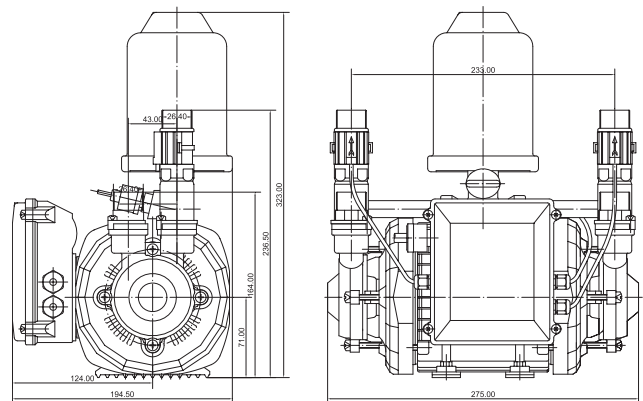
- Rate Voltage/Frequency: 230V/50Hz
- Rated Power Input P1 - 500 Watt
- Rated Current Input (A): 2.2A
- Fuse (Amps): Fuse 7A
- Electrical Class (I, II or III): Class I
- Ingress Protection Rating: IP44
- Maximum Head: Hmax 21m
- Minimum Head: Hmin 0.3m
- Qmax (Flowrate) L/Min: Qmax 37.2L/min
- Pump Duty: Continuous (S1)
- Capacitor Rating/Spec: CAP 12µF/450V S2
- Insulation Class (F): Class 155(F)
- Motor Speed (R/pm): 2900 R/pm
- Max Ambient Temp (AMB -°C): AMB 40°C
- Max water temperature (°C): Max 65°C
- Acoustic Noise (dB): <66dB
- Nett weight: 10.5KG

Product Components

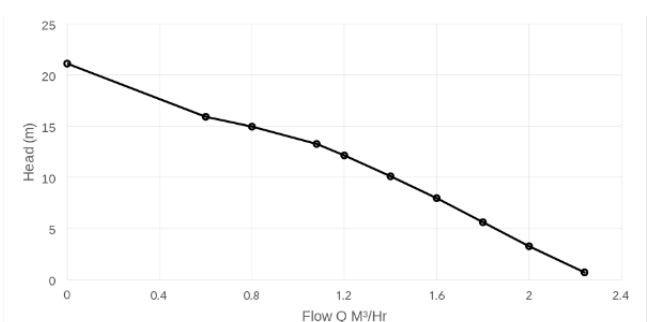
- One Equinox Shower Pump
- Four 21mm / ¾" Irish / Push-Fit stainless steel flexible hoses with isolating valves OR Four 22mm Push-Fit stainless steel flexible hoses with isolating valves
- One anti-vibration base mat
- Installation and operating manual
- Warranty registration card

CODE	PRODUCT	PALLET QTY
771921	2 Bar Universal Head (Imperial Connections)	45
771933	2 Bar Universal Head (Metric Connections)	45

Equinox Positive Head Shower Pump Dimensions



Performance Data



3 YEAR WARRANTY



Equinox 4 Bar Positive Head Shower Pump



Features

- Brass Body Material - CW617N
- Robust and compact design
- 304 Stainless steel flexible hoses
- Quick attached push-fit connections
- Powerful and efficient induction motor
- Carbon-Silicone-Carbide mechanical seals
- EPDM housing O rings & washers
- Quiet operation of less than 66 dB
- 1.5 meter of pre-wired motor cable
- Easy to install and operate
- Auto reset thermal switch
- Continuous (S1) rated design
- 3 years manufacturer's warranty

Technical Data

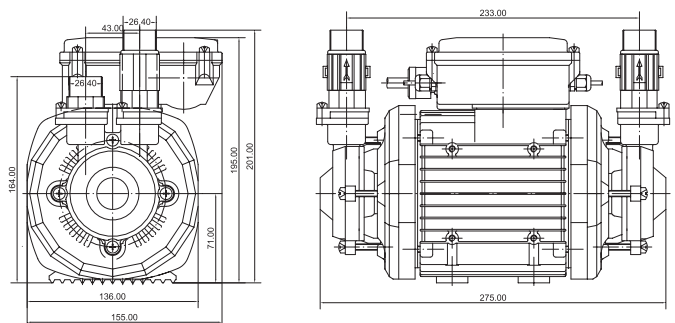
- Rate Voltage/Frequency: 230V/50Hz
- Rated Power Input P1 - 900 Watt
- Rated Current Input (A): 3.61A
- Fuse (Amps): Fuse 10A
- Electrical Class (I, II or III): Class I
- Ingress Protection Rating: IP44
- Maximum Head: Hmax 40m
- Minimum Head: Hmin 0.3m
- Qmax (Flowrate) L/Min: Qmax 56.7L/min
- Pump Duty: Continuous (S1)
- Capacitor Rating/Spec: CAP 12µF/450V S2
- Insulation Class (F): Class 155 (F)
- Motor Speed (R/pm): 2900 R/pm
- Max Ambient Temperature (AMB -°C): AMB 40°C
- Max water temperature (°C): Max 65°C
- Acoustic Noise (dB): <66 dB
- Nett weight: 11.5KG

Product Components

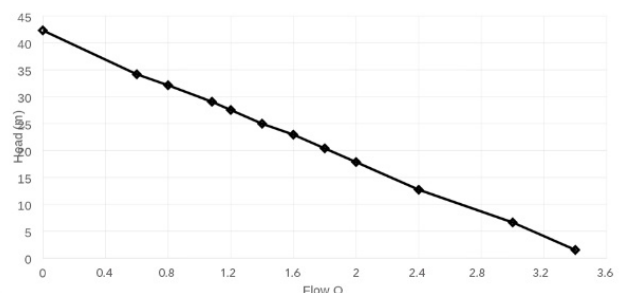
- One Equinox Shower Pump
- Four 21mm / ¾" Irish / Push-Fit stainless steel flexible hoses with isolating valves OR Four 22mm Push-Fit stainless steel flexible hoses with isolating valves
- One anti-vibration base mat
- Installation and operating manual
- Warranty registration card

CODE	PRODUCT	PALLET QTY
771922	4 Bar Positive Head (Imperial Connections)	36
771934	4 Bar Positive Head (Metric Connections)	36

Equinox Positive Head Shower Pump Dimensions



Performance Data



3 YEAR WARRANTY

Equinox 4 Bar Universal Head Shower Pump



Features

- Brass Body Material - CW617N
- Robust and compact design
- 304 Stainless steel flexible hoses
- Quick attached push-fit connections
- Powerful and efficient induction motor
- Carbon-Silicone-Carbide mechanical seals
- EPDM housing O rings & washers
- Quiet operation of less than 66 dB
- 1.5 meter of pre-wired motor cable
- Easy to install and operate
- Auto reset thermal switch
- Continuous (S1) rated design
- 3 years manufacturer's warranty

Technical Data

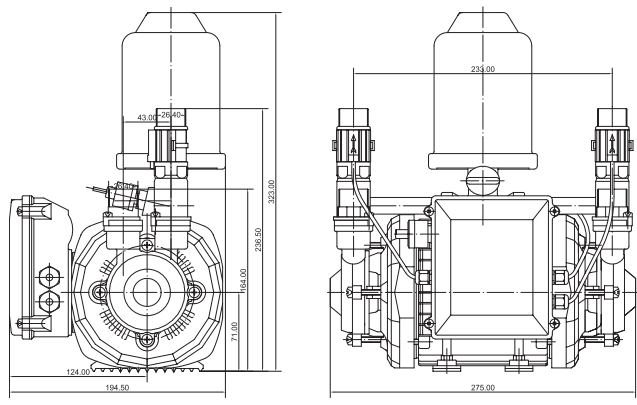
- Rate Voltage/Frequency: 230V/50Hz
- Rated Power Input P1 - 900 Watt
- Rated Current Input (A): 3.46A
- Fuse (Amps): Fuse 10A
- Electrical Class (I, II or III): Class I
- Ingress Protection Rating: IP44
- Maximum Head: Hmax 40m
- Minimum Head: Hmin 0.3m
- Qmax (Flowrate) L/Min: Qmax 45.6L/min
- Pump Duty: Continuous (S1)
- Capacitor Rating/Spec: CAP 12µF/450V S2
- Insulation Class (F): Class 155(F)
- Motor Speed (R/pm): 2900 R/pm
- Max Ambient Temp (AMB -°C): AMB 40°C
- Max water temperature (°C): Max 65°C
- Acoustic Noise (dB): <66dB
- Nett weight: 12KG

Product Components

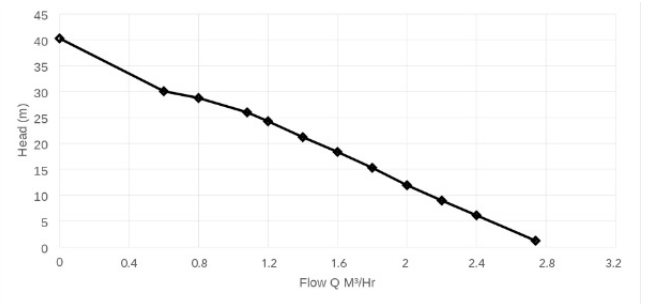
- One Equinox Shower Pump
- Four 21mm / ¾" Irish / Push-Fit stainless steel flexible hoses with isolating valves OR Four 22mm Push-Fit stainless steel flexible hoses with isolating valves
- One anti-vibration base mat
- Installation and operating manual
- Warranty registration card

CODE	PRODUCT	PALLET QTY
771923	4 Bar Universal Head (Imperial Connections)	45
771935	4 Bar Universal Head (Metric Connections)	45

Equinox Positive Head Shower Pump Dimensions



Performance Data



3 YEAR WARRANTY

Equinox Shower Pump Accessories

Thermostatic Protection Device / TPD



CODE	PRODUCT
771953	TPD with 21mm CxCxC and Flow Temp control to a max of 65°C
771954	TPD with 22mm CxCxC and Flow Temp control to a max of 65°C



Note: A TPD must be used where an uncontrolled heat source is utilised to generate domestic hot water.

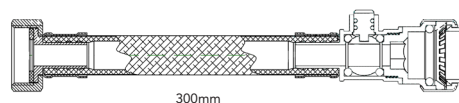
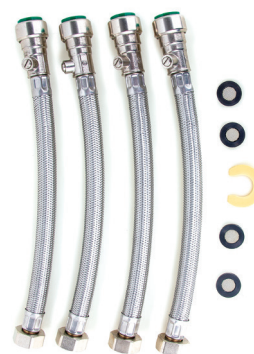
Anti-Vibration Mat



CODE	PRODUCT
771939	179mm x 179mm

Flexible Hoses

CODE	PRODUCT
771930	¾" PF x ¾" FI x 300mm
771931	22mm PF x ¾" FI x 300mm



771930 & 771931

Flanges



CODE	PRODUCT
759003	1" BSP Male x 22mm Spigot
759006	1" BSP Male x 21mm (¾") Spigot

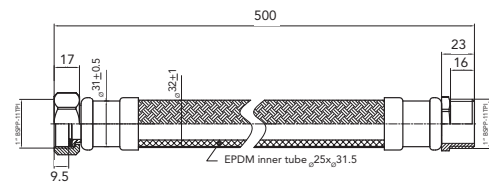
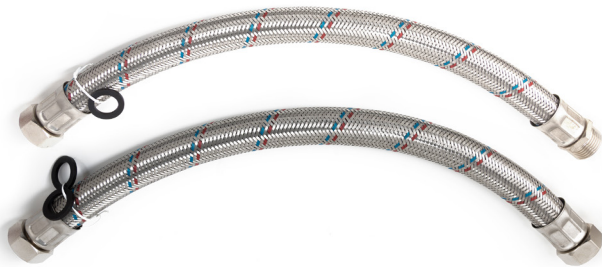
Pump Accessories

Tucson Flexible Connection Pump Hoses WRAS Approved EPDM Tube

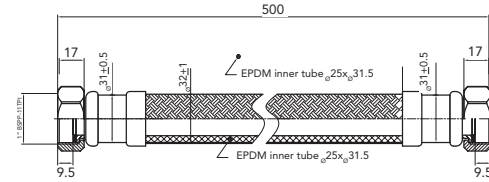
Component Material: Chrome plated CW617N Brass, Stainless Steel Braided, EPDM Rubber

CODE	SIZE	HOSE LENGTH	BOX QTY
771481	1" BSP MI x FI	500mm	50
771482	1" BSP FI x FI	500mm	50
771483	1" BSP MI x FI	750mm	50
771484	1" BSP FI x FI	750mm	50
771485	1" C x 1" FI 90° Swept Elbow	500mm	50
771486	1" BSP FI x FI 1M 90° Elbow	1000mm	50
771487	1" M x F Flexi Hose	300mm	50
771488	1" F x F Flexi Hose	300mm	50

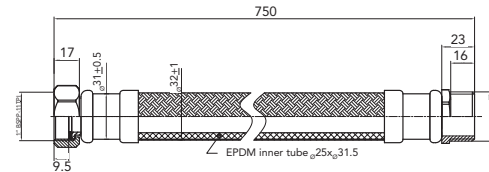
All hoses are supplied with gasket washers



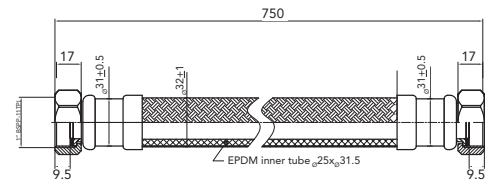
771481



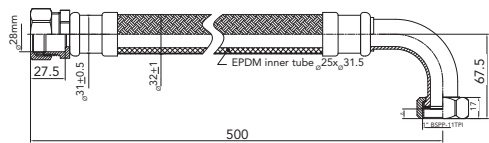
771482



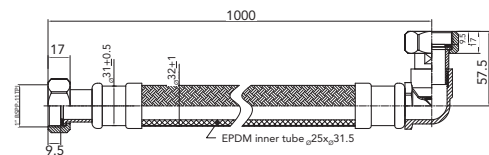
771483



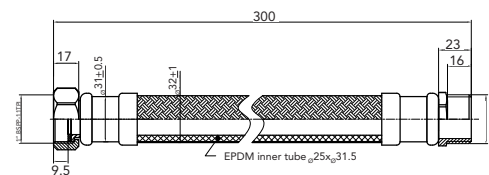
771484



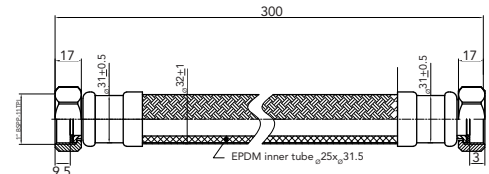
771485



771486



771487



771488

Tucson Lever Action Pump Valves

Component Material: Chrome Plated CW617N Brass Valve with Carbon Steel Handle

CODE	SIZE	BOX QTY
771961	1½" BSP x ¾" CxC	50
771962	1½" BSP x 1" CxC	50
771963	1½" BSP x 22mm CxC	50
771964	1½" BSP x 28mm CxC	50
771965	1½" BSP x ¾" FI	50
771966	1½" BSP x 1" FI	50



Manufactured using WRAS Approved Materials
All valves are supplied with gasket washers

Certifications



EC Ecodesign Certificate

Issued by Kiwa Limited

Certificate Number: EP/ELEC/055821/002 **Copy Number:** 01

Issue Date: 11 Feb 2021

Test Fuel	Model Name	Circulating Pump Name	Energy Efficiency Index, E _{eq}	Test Report
Electric	Tucson Type RS255EAD		0.20	4397-1
Electric	Tucson Type RS255EAD		0.20	4397-2

Manufacturer's Name and Address:
 Tucson Pumps Ltd
 Instanator Works
 Santry Avenue
 Dublin D09 K160
 Ireland

Declaration
 Kiwa Limited declares that Energy Efficiency Index test results for the products listed above have been obtained in accordance with the requirements of the Energy Using Products Directive according to Commission Regulation (EC) No 641/2009 (Directive 2005/32/EC) using the relevant methods of measurement and calculation of energy efficiency index for gasless circulators as detailed in 2013/C 254/04 of the Official Journal of the European Union (OJEC) C254 dated 4 September 2013.

Signed on behalf of Kiwa Limited



Mr A J Pittaway – Certification Officer

Page 1 of 1

Kiwa Limited
 Molen Van Bommel Park
 De Bilt, Utrecht
 The Netherlands
 Tel: +31 (0)30 278797
 Fax: +31 (0)30 278798
 www.kiwa.nl



DECLARATION

Test Certificate

Date issued: 28-06-2021 **Report number:** 4402-1

Certificate number: EP/ELEC/055821/003 **Original/Revised:** Original

EC Ecodesign Certificate

Issued by Kiwa Ltd

Circulating Pump Model Name	Energy Efficiency Index, E _{eq}	Test Report
Tucson Type RS255EAD	0.22	4402-1

Manufacturer's Name and Address:
 Tucson Pumps Ltd
 Instanator Works
 Santry Avenue
 Dublin D09 K160
 Ireland


Declaration
 Kiwa Limited declares that Energy Efficiency Index test results for the products listed above have been obtained in accordance with the requirements of the Energy Using Products Directive according to Commission Regulation (EC) No 641/2009 (Directive 2005/32/EC) using the relevant methods of measurement and calculation of energy efficiency index for gasless circulators as detailed in 2013/C 254/04 of the Official Journal of the European Union (OJEC) C254 dated 4 September 2013.

Signed on behalf of Kiwa Limited



Mr A J Pittaway – Certification Officer

Kiwa Limited
 Molen Van Bommel Park
 De Bilt, Utrecht
 The Netherlands
 Tel: +31 (0)30 278797
 Fax: +31 (0)30 278798
 www.kiwa.nl



DECLARATION

Test Certificate

Date issued: 17-03-2022 **Report number:** 4403-2

Certificate number: EP/ELEC/055820/002 **Original/Revised:** Original

EC Ecodesign Certificate

Issued by Kiwa Ltd

Circulating Pump Model Name	Energy Efficiency Index, E _{eq}	Test Report
Tucson OBSP 25/61/30	0.21	4403-2

Manufacturer's Name and Address:
 Tucson Pumps Ltd
 Instanator Works
 Santry Avenue
 Dublin D09 K160
 Ireland

Declaration
 Kiwa Limited declares that Energy Efficiency Index test results for the products listed above have been obtained in accordance with the requirements of the Energy Using Products Directive according to Commission Regulation (EC) No 641/2009 (Directive 2005/32/EC) using the relevant methods of measurement and calculation of energy efficiency index for gasless circulators as detailed in 2013/C 254/04 of the Official Journal of the European Union (OJEC) C254 dated 4 September 2013.

Signed on behalf of Kiwa Limited



Mr A J Pittaway – Certification Officer

Kiwa Limited
 Molen Van Bommel Park
 De Bilt, Utrecht
 The Netherlands
 Tel: +31 (0)30 278797
 Fax: +31 (0)30 278798
 www.kiwa.nl



DECLARATION

Test Certificate

Date issued: 17-03-2022 **Report number:** 4403-1

Certificate number: EP/ELEC/055820/001 **Original/Revised:** Original

EC Ecodesign Certificate

Issued by Kiwa Ltd

Circulating Pump Model Name	Energy Efficiency Index, E _{eq}	Test Report
Tucson OBSP 25/61/30	0.22	4403-1

Manufacturer's Name and Address:
 Tucson Pumps Ltd
 Instanator Works
 Santry Avenue
 Dublin D09 K160
 Ireland

Declaration
 Kiwa Limited declares that Energy Efficiency Index test results for the products listed above have been obtained in accordance with the requirements of the Energy Using Products Directive according to Commission Regulation (EC) No 641/2009 (Directive 2005/32/EC) using the relevant methods of measurement and calculation of energy efficiency index for gasless circulators as detailed in 2013/C 254/04 of the Official Journal of the European Union (OJEC) C254 dated 4 September 2013.

Signed on behalf of Kiwa Limited



Mr A J Pittaway – Certification Officer

Kiwa Limited
 Molen Van Bommel Park
 De Bilt, Utrecht
 The Netherlands
 Tel: +31 (0)30 278797
 Fax: +31 (0)30 278798
 www.kiwa.nl



DECLARATION

Test Certificate

Date issued: 17-03-2022 **Report number:** 4403-4

Certificate number: EP/ELEC/055820/004 **Original/Revised:** Original

EC Ecodesign Certificate

Issued by Kiwa Ltd

Circulating Pump Model Name	Energy Efficiency Index, E _{eq}	Test Report
Tucson GBPHR810W	0.21	4403-4

Manufacturer's Name and Address:
 Tucson Pumps Ltd
 Instanator Works
 Santry Avenue
 Dublin D09 K160
 Ireland

Declaration
 Kiwa Limited declares that Energy Efficiency Index test results for the products listed above have been obtained in accordance with the requirements of the Energy Using Products Directive according to Commission Regulation (EC) No 641/2009 (Directive 2005/32/EC) using the relevant methods of measurement and calculation of energy efficiency index for gasless circulators as detailed in 2013/C 254/04 of the Official Journal of the European Union (OJEC) C254 dated 4 September 2013.

Signed on behalf of Kiwa Limited



Mr A J Pittaway – Certification Officer

Kiwa Limited
 Molen Van Bommel Park
 De Bilt, Utrecht
 The Netherlands
 Tel: +31 (0)30 278797
 Fax: +31 (0)30 278798
 www.kiwa.nl



DECLARATION

Test Certificate

Date issued: 17-03-2022 **Report number:** 4403-3

Certificate number: EP/ELEC/055820/003 **Original/Revised:** Original

EC Ecodesign Certificate

Issued by Kiwa Ltd

Circulating Pump Model Name	Energy Efficiency Index, E _{eq}	Test Report
Tucson GBPHR810W	0.23	4403-3

Manufacturer's Name and Address:
 Tucson Pumps Ltd
 Instanator Works
 Santry Avenue
 Dublin D09 K160
 Ireland


Declaration
 Kiwa Limited declares that Energy Efficiency Index test results for the products listed above have been obtained in accordance with the requirements of the Energy Using Products Directive according to Commission Regulation (EC) No 641/2009 (Directive 2005/32/EC) using the relevant methods of measurement and calculation of energy efficiency index for gasless circulators as detailed in 2013/C 254/04 of the Official Journal of the European Union (OJEC) C254 dated 4 September 2013.

Signed on behalf of Kiwa Limited



Mr A J Pittaway – Certification Officer

Kiwa Limited
 Molen Van Bommel Park
 De Bilt, Utrecht
 The Netherlands
 Tel: +31 (0)30 278797
 Fax: +31 (0)30 278798
 www.kiwa.nl



DECLARATION

Test Certificate

Date issued: 28-06-2022 **Report number:** 4405-2

Certificate number: EP/ELEC/055822/005 **Original/Revised:** Original

EC Ecodesign Certificate

Issued by Kiwa Ltd

Circulating Pump Model Name	Energy Efficiency Index, E _{eq}	Test Report
Tucson GPAS-65-130 II	0.19	4405-2

Manufacturer's Name and Address:
 Tucson Pumps Ltd
 Instanator Works
 Santry Avenue
 Dublin D09 K160
 Ireland

Declaration
 Kiwa Limited declares that Energy Efficiency Index test results for the products listed above have been obtained in accordance with the requirements of the Energy Using Products Directive according to Commission Regulation (EC) No 641/2009 (Directive 2005/32/EC) using the relevant methods of measurement and calculation of energy efficiency index for gasless circulators as detailed in 2013/C 254/04 of the Official Journal of the European Union (OJEC) C254 dated 4 September 2013.

Signed on behalf of Kiwa Limited



Mr R Summerfield – Head of Special Projects

Kiwa Limited
 Molen Van Bommel Park
 De Bilt, Utrecht
 The Netherlands
 Tel: +31 (0)30 278797
 Fax: +31 (0)30 278798
 www.kiwa.nl



DECLARATION

Test Certificate

Date issued: 28-06-2022 **Report number:** 4405-1

Certificate number: EP/ELEC/055822/006 **Original/Revised:** Original

EC Ecodesign Certificate

Issued by Kiwa Ltd

Circulating Pump Model Name	Energy Efficiency Index, E _{eq}	Test Report
Tucson RS255EAD130SC	0.20	4405-1

Manufacturer's Name and Address:
 Tucson Pumps Ltd
 Instanator Works
 Santry Avenue
 Dublin D09 K160
 Ireland

Declaration
 Kiwa Limited declares that Energy Efficiency Index test results for the products listed above have been obtained in accordance with the requirements of the Energy Using Products Directive according to Commission Regulation (EC) No 641/2009 (Directive 2005/32/EC) using the relevant methods of measurement and calculation of energy efficiency index for gasless circulators as detailed in 2013/C 254/04 of the Official Journal of the European Union (OJEC) C254 dated 4 September 2013.

Signed on behalf of Kiwa Limited



Mr R Summerfield – Head of Special Projects

Kiwa Limited
 Molen Van Bommel Park
 De Bilt, Utrecht
 The Netherlands
 Tel: +31 (0)30 278797
 Fax: +31 (0)30 278798
 www.kiwa.nl



Tucson Pumps Ltd,
Santry Avenue, Dublin,
D09 K160, Ireland.

EC – DECLARATION OF PERFORMANCE

We Tucson Pumps Ltd, commission and distribute the following products referenced below by code, within the European Economic area.

Tucson pumps product code references:

771902, 771903, 771904, 771906, 771908, 771909, 771912, 771913, 771917, 771918, 771920, 771921, 771922, 771923, 771924, 771925, 771926, 771927, 771928, 771929, 771932, 771933, 771934, 771935, 771946, 771947, 771971, 771972,

We declare that these products are manufactured in accordance with the following directives where applicable:

- The CE marking Directive 93/68/EEC
- The Machinery Directive 2006/42/EC
- The Construction Products Regulation (EU) No. 305/2011
- The Electromagnetic Compatibility Directive (EMC) 2014/30/EU
- The Low Voltage Directive (LDV) 2014/35/EU
- The RoHS2 Directive 2011/65/EU
- The Waste Electrical and Electronic Equipment Directive 2012/19/EU
- Energy Related Products Directive according to Commission Regulation (EU) No 641/2009 implementing Directive 2005/32/EC Commission Regulation with regard to Ecodesign requirements for glandless standalone circulators and glandless circulators integrated in products.

And have been designed and manufactured to the following specifications:

Quality Management system:	I.S.O. 9001:2015
Safety of Machinery, General principles for design, Risk assesment:	E.N.12100:2010
Household and similar electrical appliances – safety - Part 1 – General:	E.N.60335 - 1:2012+A13:2017
Household and similar electrical appliance – safety - Part 2 – Pumps:	E.N.60335 -2- 41:2003+A2:2010
Electromagnetic Compatibility - Part 2 & 3:	E.N. 61000-3-2 & 3
Degree of protection provided by enclosures (IP code):	E.N. 60529:1992 & A2:2013
Safety of Machinery - General Requirements:	E.N. 60204 - 1:2018
Electromagnetic compatibility - Part 1 & 2:	EN 55014-1:2017 & 2:2015
Pumps - Rotodynamic Pumps - Glandless Circulators EEI	EN16297-1/2/3:2012

We hereby declare that the equipment outlined within this schedule has been designed to comply with the relevant sections of the forementioned specifications. These products comply with all relevant sections of the essential requirements.

The Technical Document for this machinery is available from the headed address.

Signed on behalf of Tucson Pumps Ltd.

Product Manager

Issue 2 – December 2nd 2022.

Registered office as above - Company Number: IE669658 – Vat Number: IE3685037DH

TUCSON[®]

Fluid Dynamics

Tucson Pumps Ltd.
Instantor Works
Santry Avenue, Santry
Dublin D09 K160

T 01 842 6255

E sales@tucsonpumps.ie

www.tucsonpumps.ie

Unpriced - Issue 4 - January 2023